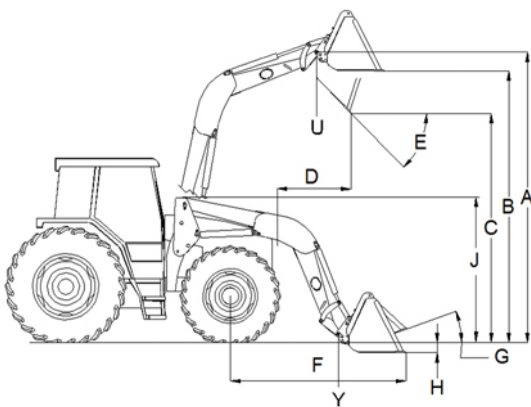


MOUNTED ON CASE IH MAGNUM 7120



SPECIFICATIONS



A. Maximum Lift Height to Pivot Pin	14'-8"
B. Maximum Lift Height Under Level Bucket	13'-9"
C. Clearance with Bucket Fully Dumped	12'-5"
D. Reach at Maximum Lift Height	3'-9"
E. Maximum Dump Angle	36 degrees
F. Reach with Bucket on Ground	9'-2"
G. Maximum Rollback Angle	32 degrees
H. Digging Depth (Est.)	3"
U. Lift Capacity to Maximum Height at Pivot Pin	5,600 lbs.
Y. Breakout Force at Ground Line at Pivot Pin	7,950 lbs.

Specifications taken with 84" Standard Bucket. Specifications based on ASAE standards S301.3 and furnished for general information only as they can vary with different tractor models. Specifications are subject to change without notice and without liability therefore