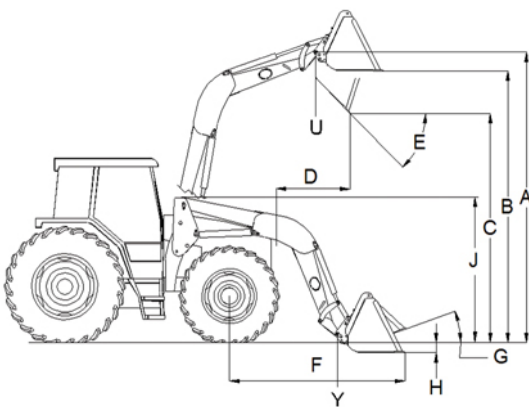


MOUNTED ON CASE IH MAXXUM 5120 4 CYL.



SPECIFICATIONS



A. Maximum Lift Height to Pivot Pin	11' 8" (154")
C. Clearance with Bucket Fully Dumped	10' 1" (121")
D. Reach at Maximum Lift Height	3' 8"
E. Maximum Dump Angle	38 degrees
F. Reach with Bucket on Ground	7' (84")
G. Maximum Rollback Angle	30 degrees
H. Digging Depth	4.75"
U. Lift Capacity to Maximum Height at Pivot Pin	4400 lb
Y. Breakout Force at Ground Line at Pivot Pin	5800 lb
Z. Breakout Force at Ground Line 31.5" Forward	4250 lb

Specifications taken with 84" Standard Bucket. Specifications based on ASAE standards S301.3 and furnished for general information only as they can vary with different tractor models. Specifications are subject to change without notice and without liability therefore