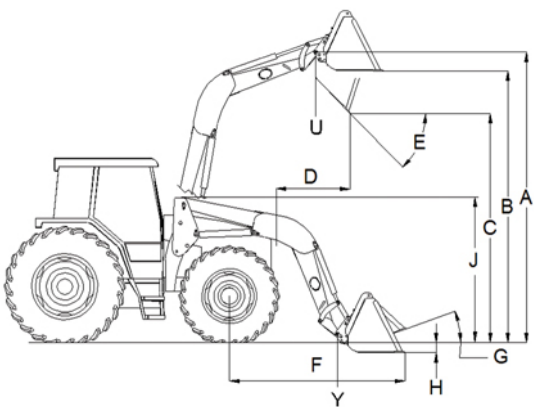




SPECIFICATIONS



A. Maximum Lift Height to Pivot Pin	10' 4" (124")
C. Clearance with Bucket Fully Dumped	8' 2" (98")
D. Reach at Maximum Lift Height	26"
E. Maximum Dump Angle	40°
F. Reach with Bucket on Ground	6' 1" (73")
G. Maximum Rollback Angle	17°
H. Digging Depth	5.5"
U. Lift Capacity to Maximum Height at Pivot	3,609 lb
V. Lift Capacity to Maximum Height 31.5" Forward	2,406 lb
Y. Breakout Force at Ground Line at Pivot Pin	5,340 lb
Z. Breakout Force at Ground Line 31.5" Forward	3,596 lb

Specifications taken with 84" Standard Bucket. Specifications based on ASAE standards S301.3 and furnished for general information only as they can vary with different tractor models. Specifications are subject to change without notice and without liability therefore