

K&W FRONT END **Loaders**

1760

**Designed for
110 to 190 HP Tractors**

13'8" Lift Height



8

**Low Profile
Modern Appearance**

**Purchase Base Unit Now and
Add Features as You Require**

- 2 Way Hydraulic Self Leveling
- Solenoid Operated Comfort Drive
- 1 Lever Hydraulic Disconnect
- Loader Valve with Solenoid Operated Third Function



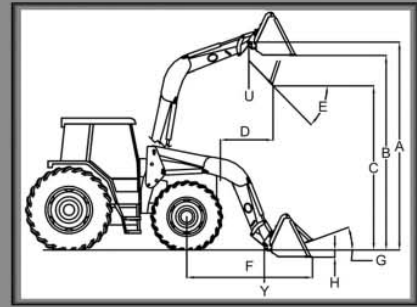
KMW Ltd.

198 N. Hwy 281 ■ Great Bend, Kansas 67530

800 445-7388 ■ Fax 620 793-6737

www.kmwloaders.com

Mounting Bracket design enhances visibility when Loader is parked.
Grease Fittings conveniently located for quick lubrication
Powder Coat Paint Matches Tractor Color



A	Maximum Lift Height to Pivot Point	13'8"
C	Clearance with Bucket Fully Dumped	11'5"
D	Reach at Maximum Lift Height	4'2"
E	Dump Angle	40 degrees
F	Reach with Bucket on Ground	8'5"
G	Rollback Angle	32 degrees
H	Dig Depth	3"
U	Lift Capacity to Maximum Height at Pivot Pin	5600#
V	Lift Capacity to Maximum Height at 31.5" Forward	4100#
Y	Breakout Force at Ground Line at Pivot Pin	9300#
Z	Breakout Force at Ground Line at 31.5" Forward	6900#
	Hydraulic Pressure	2950 psi

Quick Easy Mounting

Position parking stands, pull 2 pins, and park

Specifications based on ASAE standards S301.3 and furnished for general information only as they can vary with different tractor models. Specifications are subject to change without notice and without liability therefore.

Tested for Long Life and Reliability

- Strain Gauge Testing
- Extensive Field Testing
- Endurance Cycle Testing

Euro-Style Quick Attach

- One Lever Attaching and Detaching of Euro-Style Attachments

Features

- Heavy Duty Attachment Linkages allow more rollback and dump angles at quicker speeds
- Heavy Duty Oval Cross Tube
- Large Diameter Plated Pins
- Replaceable Steel Bushings at major wear pivots

Solenoid Operated Comfort Drive

With the Flip of a Switch from the Comfort of your Cab Switch Comfort Drive On & Off

- Improves Operator Comfort
- Reduces Strain in Tractor/Loader Frame
- Extends Machine Life
- More Productivity
- Located behind boom crosstube for easy serviceability and protection

Heavy Duty Buckets

- 3" x 5" Upper Box Cross Tube
- 3/4" x 6" Cutting Edge
- 4 Heavy Duty Wear Bars
- Reinforced Side Plates
- 84" – 96" – 102" Widths
- Grapple Ready

2-Way Hydraulic Self Leveling

- Less Wear Points
- Improved Rollback Angle
- Lower Profile when compared with Mechanical Self Leveling

Heavy Duty 4 or 6 Tine Quick Attach Grapple

- 3/4" Tines
- Dual Cylinders
- Easy Disconnect

Custom Fit Grill Guard

Provides Tractor Front Protection

