

Designed for
90 to 180 HP Tractors
2 & 4 WD
13'8" Lift Height



Low Profile
Modern Appearance

Purchase Base Unit Now and
Add Features as You Require

- Solenoid Operated Comfort Drive
- 1 Lever Hydraulic Disconnect
- Loader Valve with Solenoid Operated Third Function

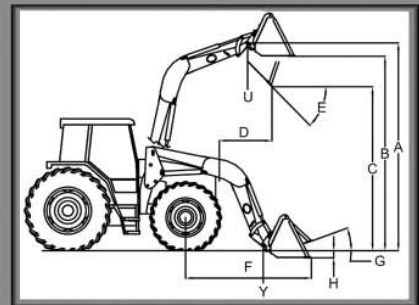


KMW Ltd.

198 North Highway 281 ■ Great Bend, Kansas 67530
620-793-6725 ■ Fax 620-793-6737
Toll Free 855-456-9583

www.kmwloaders.com

Tried and True Mounting Kit Design
 reinforces tractor frame
 Grease Fittings conveniently located
 for quick lubrication
 Powder Coat Paint
 Matches
 Tractor
 Color



A	Maximum Lift Height to Pivot Point	13'8"
C	Clearance with Bucket Fully Dumped	11'5"
D	Reach at Maximum Lift Height	3'6"
E	Dump Angle	37 degrees
F	Reach with Bucket on Ground	7'10"
G	Rollback Angle	25 degrees
H	Dig Depth	4"
U	Lift Capacity to Maximum Height at Pivot Pin	4500#
V	Lift Capacity to Maximum Height at 31.5" Forward	3500#
Y	Breakout Force at Ground Line at Pivot Pin	7400#
Z	Breakout Force at Ground Line at 31.5" Forward	5750#
	Hydraulic Pressure	2400 psi



Quick Easy Mounting

Tested for Long Life and Reliability

- Strain Gauge Testing
- Extensive Field Testing
- Endurance Cycle Testing

Features

- Heavy Duty Oval Cross Tube
- Large Diameter Plated Pins
- Replaceable Steel Bushings at major wear pivots

Specifications based on ASAE standards S301.3 and furnished for general information only as they can vary with different tractor models. Specifications are subject to change without notice and without liability therefore.

Euro-Style Quick Attach

- One Lever Attaching and Detaching of Euro-Style Attachments



Solenoid Operated Comfort Drive

With the Flip of a Switch from the Comfort of your Cab Switch Comfort Drive On & Off

- Improves Operator Comfort
- Reduces Strain in Tractor/Loader Frame
- Extends Machine Life
- More Productivity
- Located behind boom crosstube for easy serviceability and protection

Heavy Duty Subframe

- 1/2" Grade 50 Pedestals
- 1" Solid Steel Front Support
- Grill Guard integrated into Loader Design provides Tractor Front Protection

Heavy Duty Buckets

- 3" x 5" Upper Box Cross Tube
- 3/4" x 6" Cutting Edge
- 4 Heavy Duty Wear Bars
- Reinforced Side Plates
- 84" – 96" – 102" Widths
- Grapple Ready



Heavy Duty 4 or 6 Tine Quick Attach Grapple

- 3/4" Tines
- Dual Cylinders
- Easy Disconnect