

Designed for
80 to 130 HP Tractors

6



Purchase Base Unit Now
And Add Features and
Attachments as You Require

Low Profile
Modern Appearance
Engineered For Today's
Tractors

Lift Height
12' 10"

- » 2 Way Hydraulic Self Leveling
 - Less Wear Points
 - Improved Rollback Angle
 - Low Profile
- » Single Lever Hydraulic Disconnect
- » 2 & 3 Spool Loader Valves with Solenoid Operated 3rd Function
- » Solenoid Operated Comfort Drive
- » Attachments
 - 4 or 6 Tine Grapple
 - Grill Guard
 - Pallet Fork
 - Bale Probe
 - Grapple Ready Buckets
 - Standard Buckets

KMW Ltd.

198 North Highway 281 ■ Great Bend, Kansas 67530

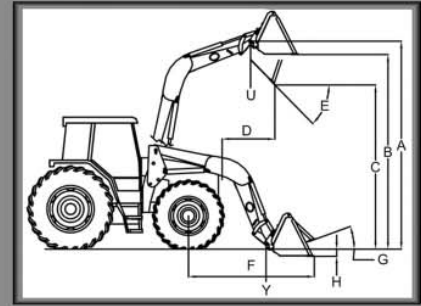
620-793-6725 ■ Fax 620-793-6737

Toll Free 855-456-9583

www.kmwloaders.com



Mounting Bracket design enhances visibility when Loader is parked
 Grease Fittings conveniently located for quick lubrication
 Powder Coat Paint matches Tractor Color



A	Maximum Lift Height to Pivot Point	12' 10"
C	Clearance with Bucket Fully Dumped	10' 1"
D	Reach at Maximum Lift Height	2' 8"
E	Dump Angle	42 degrees
F	Reach with Bucket on Ground	7' 5"
G	Rollback Angle	32 degrees
H	Dig Depth	4"
U	Lift Capacity to Maximum Height at Pivot Pin	4750#
V	Lift Capacity to Maximum Height at 31.5" Forward	3550#
Y	Breakout Force at Ground Line at Pivot Pin	7900#
Z	Breakout Force at Ground Line at 31.5" Forward	5650#
	Hydraulic Pressure	2950 psi

Quick Easy Mounting
 Position parking stands, pull 2 pins, and park

Euro-Style Quick Attach
 One Lever Attaching and Detaching of Euro-Style Attachments

Loader Features

- High Strength Material utilized throughout unit.
- Replaceable Steel Wear Bushings located at critical pivot points
- Large Radius Side Plates
- Heavy Duty Attachment Linkages increase dump and rollback angles
- Hydraulic Oil Supply Hoses routed inside boom arm, Improves appearance, Increases visibility and Protects hydraulic components



1 2" High Strength Bearing Box Pins are welded inside & out, insuring product reliability

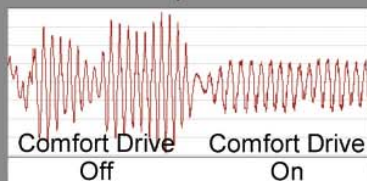


KMW Mounting Brackets are Engineered and Tested for Heavy Duty/Long Life

Optional Comfort Drive Features

- Solenoid Operation – With the Flip of a Switch from the comfort of your cab, switch it On and Off
- Improves Operator Comfort
- Reduces Strain in Tractor and Loader frames
- Extends machine life
- Increases productivity

Comfort Drive reduces Tractor and Loader strains up to 33%



- 2** Bracket Supports designed to protrude through other component parts in high stress areas.
- 3** Large Fillet Welds utilized throughout brackets.
- Bracket Supports are Welded Inside & Out
- High Yield Steel used in all Components
- Loader Mounting Brackets available for Loader Ready and Standard Tractors